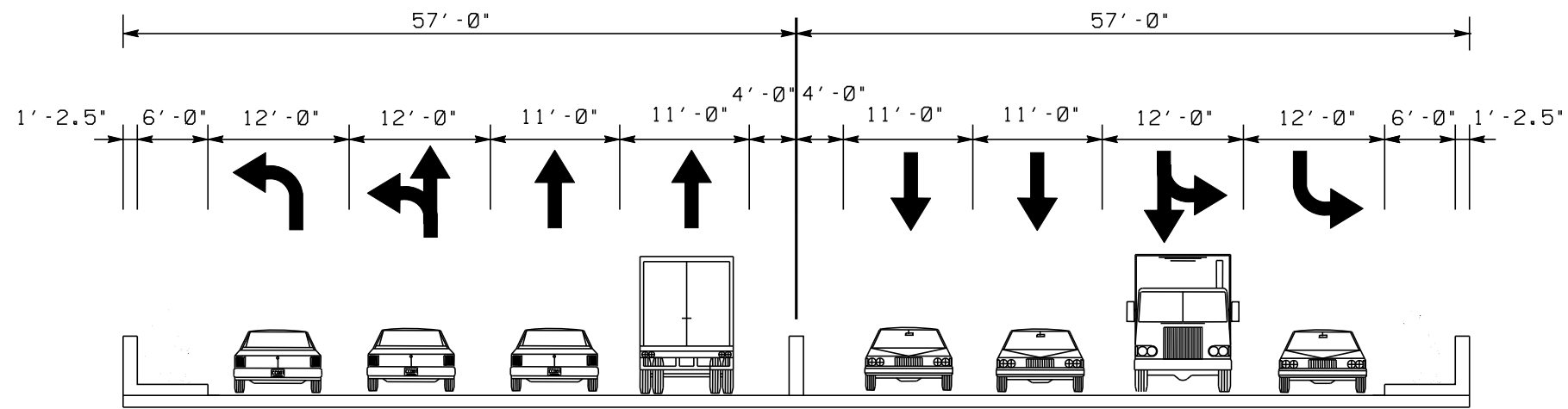
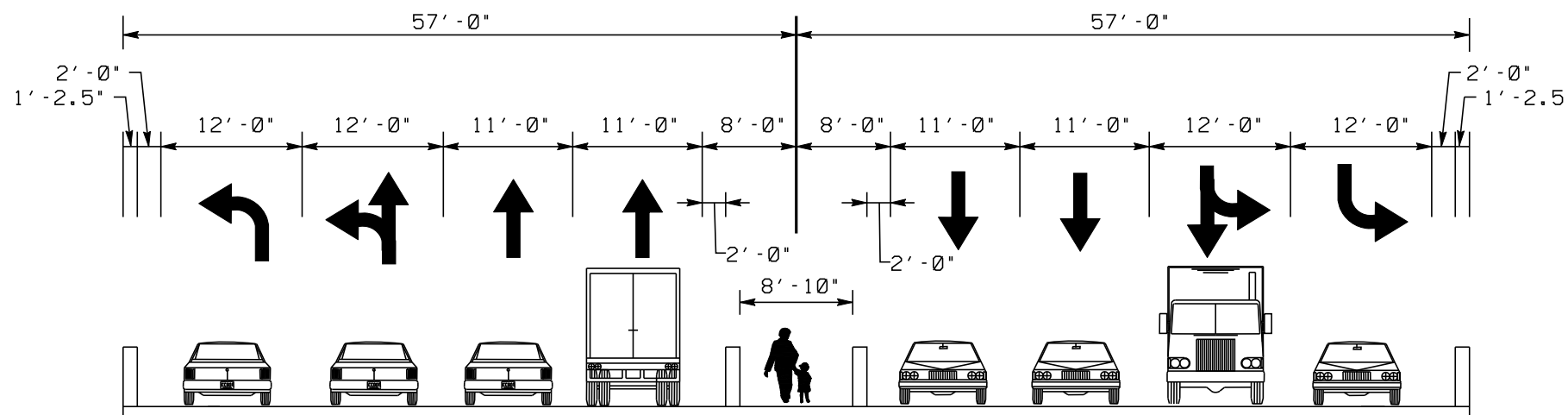


EXISTING BRIDGE WIDTH



DDI - EXISTING BRIDGE WIDTH WITH PEDESTRIANS ON OUTSIDE



DDI - EXISTING BRIDGE WIDTH WITH PEDESTRIANS IN CENTER



400 NORTHPARK TOWN CENTER
 1000 ABERNATHY ROAD, N.E. SUITE 900
 ATLANTA, GA 30328
 TEL: (678) 808-8800 FAX: (678) 808-8400

NTS

REVISION DATES

NO.	DATE	DESCRIPTION

TYPICAL SECTIONS

PLEASANT HILL ROAD @ I-85

DRAWING NO.