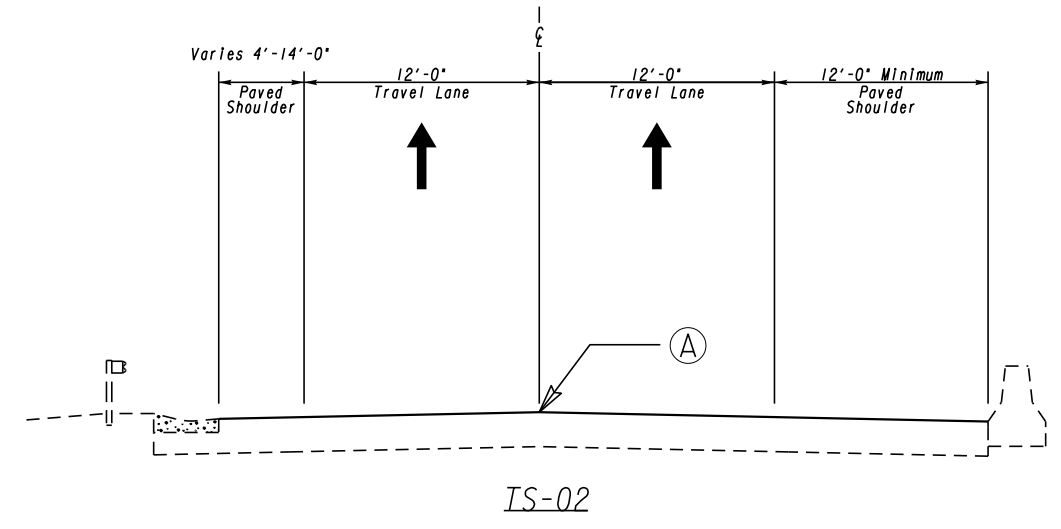


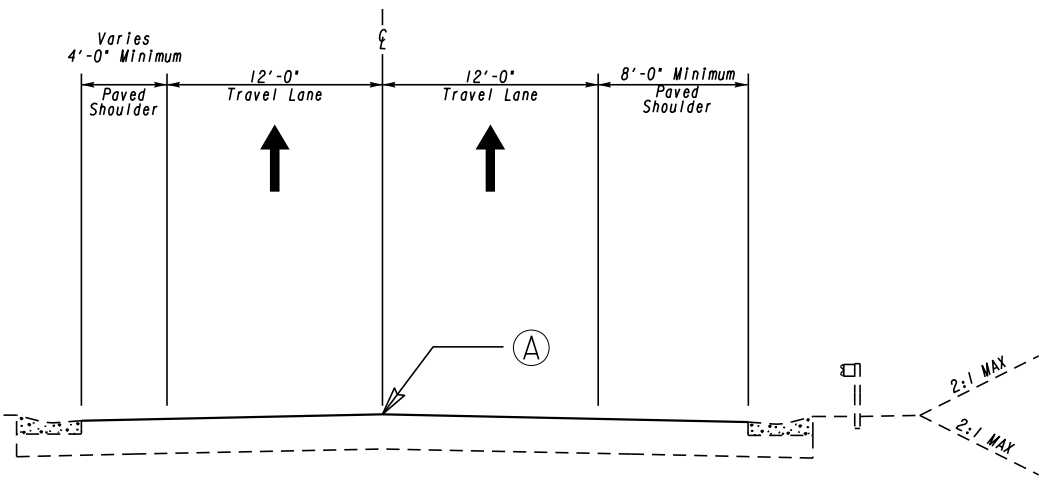
IS-01

STA. 103+37.41 TO STA. 105+00.00
STA. 107+46.00 TO STA. 108+44.39



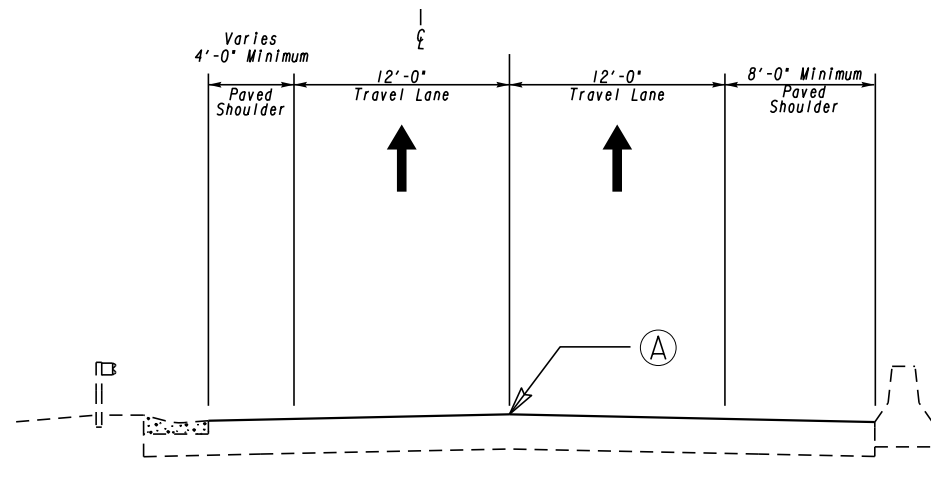
IS-02

STA. 105+00.00 TO STA. 107+46.00



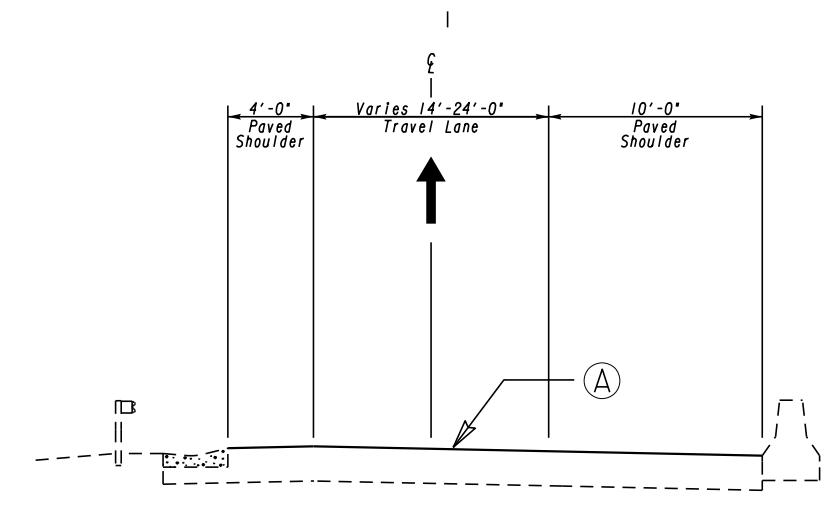
IS-03

STA. 108+44.39 TO STA. 111+81.00



IS-04

STA. 111+81.00 TO STA. 121+95.75



IS-05

STA. 121+95.75 TO STA. 139+25.57

REQUIRED PAVEMENT

(A) RECYCLED ASPH CONC 12.5 MM SUPERPAVE, GP 2 ONLY, INCL BITUM & H LIME (165 LB/SY)

HNTB

191 PEACHTREE STREET, NE
SUITE 3300
ATLANTA, GEORGIA 30303

NOT TO SCALE

REVISION DATES

TYPICAL SECTIONS
I-85 AT PLEASANT HILL RD
NB ENTRANCE RAMP

CHECKED:		DATE:	
BACKCHECKED:		DATE:	
CORRECTED:		DATE:	
VERIFIED:		DATE:	

DRAWING No.
05-0001

DATE##
#USER#

TIME##

\$PRF##

\$PENTABLE##

\$DGN#

GRINNETT COUNTY
DEPARTMENT OF TRANSPORTATION

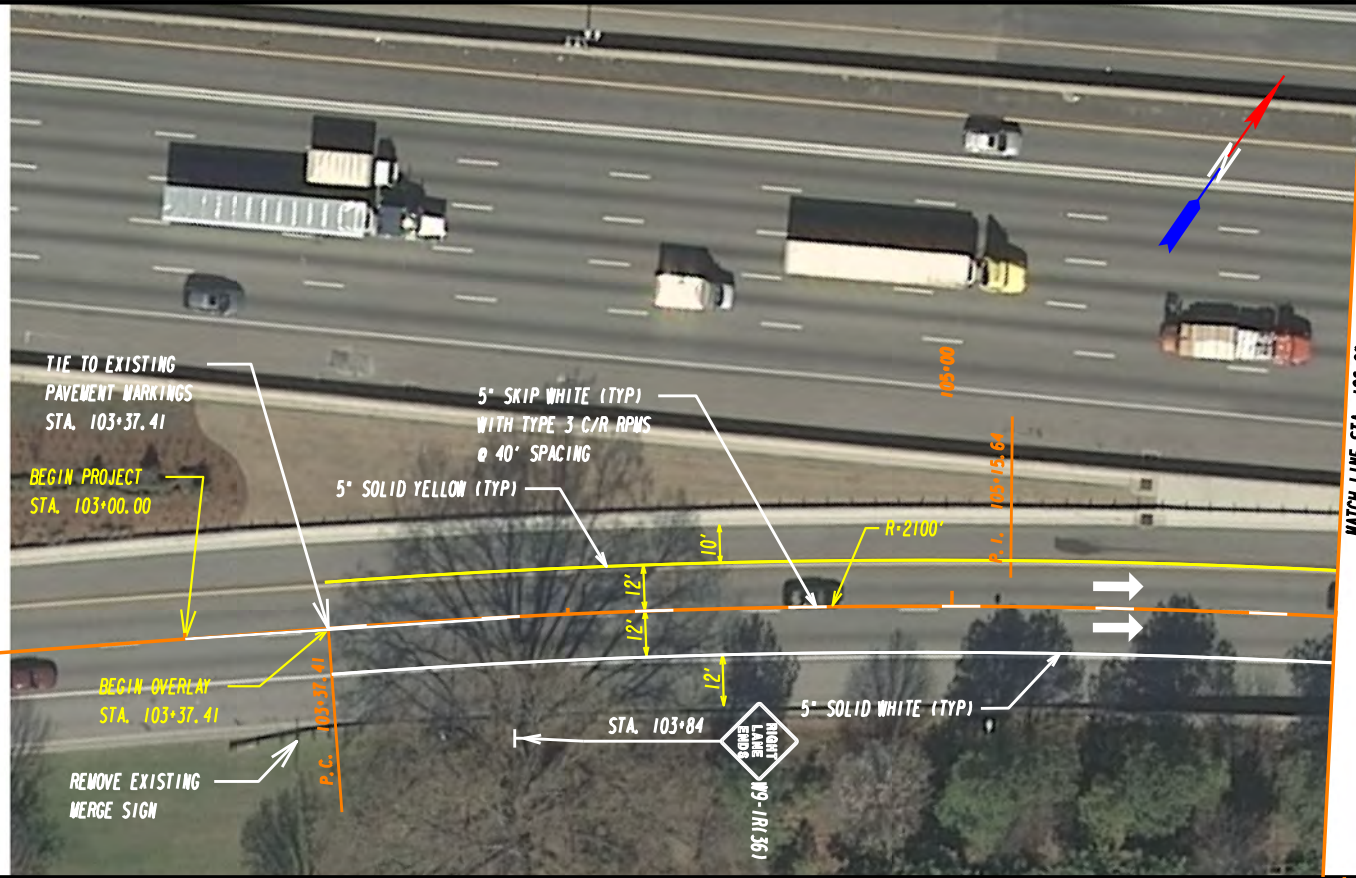
PROJECT NUMBER
F-1258-01

WEST
NORTH
EAST
SOUTH

WEST
NORTH
EAST
SOUTH

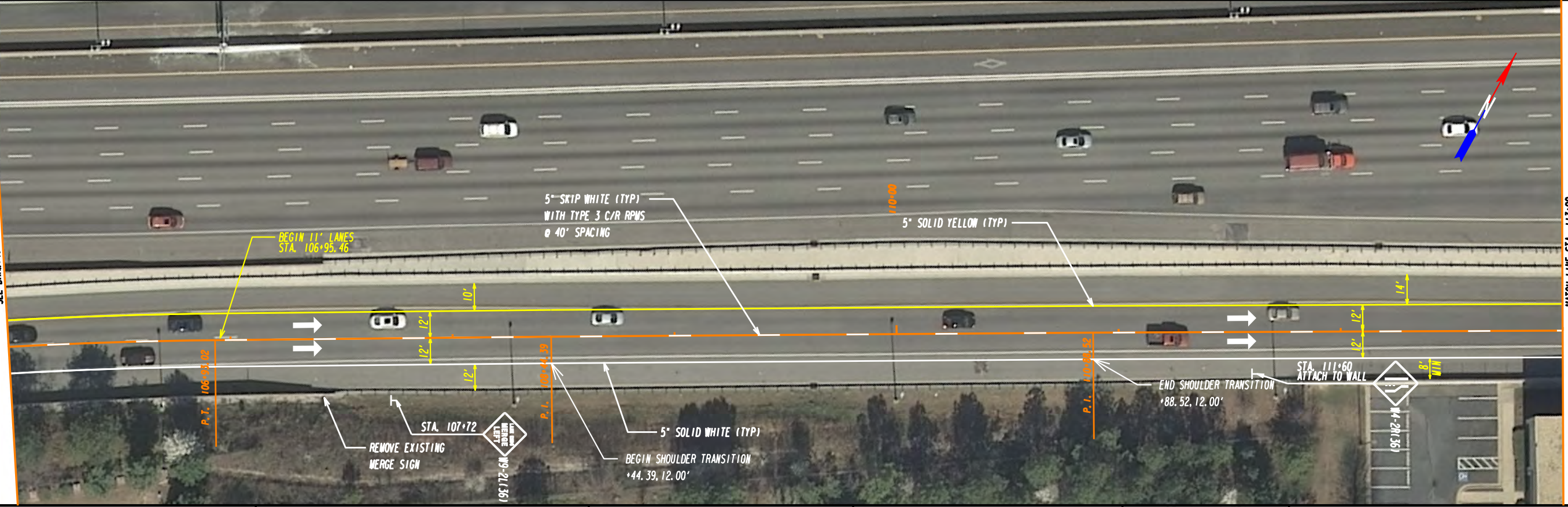
10/23/2015
GPLN
ANFOSA
ANFOSA
ANFOSA
ANFOSA
ANFOSA

100+00
POB 100+00.00



105+00
MATCH LINE STA. 106+00
SEE DRAWING 13-0001.2

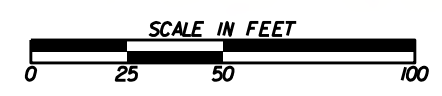
106+00
MATCH LINE STA. 106+00
SEE DRAWING 13-0001.1



110+00
MATCH LINE STA. 113+00
SEE DRAWING 13-0002.1



191 PEACHTREE STREET, NE
SUITE 3300
ATLANTA, GEORGIA 30303



REVISION DATES

NO.	DATE	DESCRIPTION

CONSTRUCTION PLAN
I-85 AT PLEASANT HILL RD
NB ENTRANCE RAMP

CHECKED:	DATE:	DRAWING No.
BACKCHECKED:	DATE:	13-0001
CORRECTED:	DATE:	
VERIFIED:	DATE:	

DATE##
#USER#

TIME##

\$PRF##
\$PENTABLE##

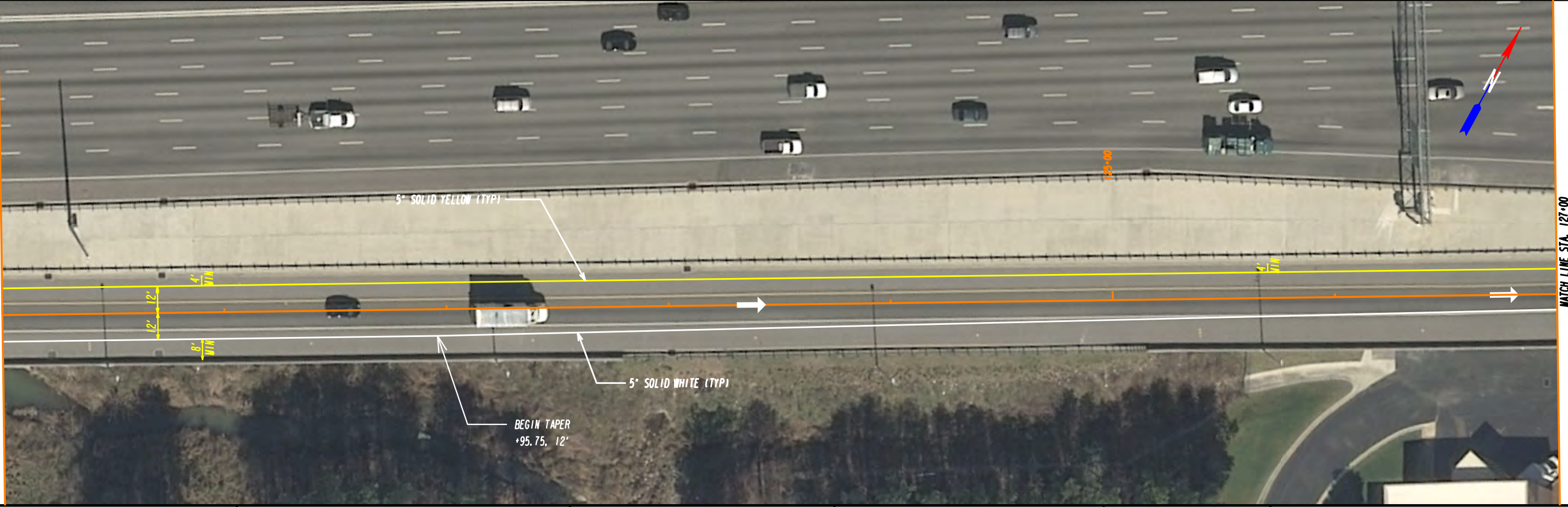
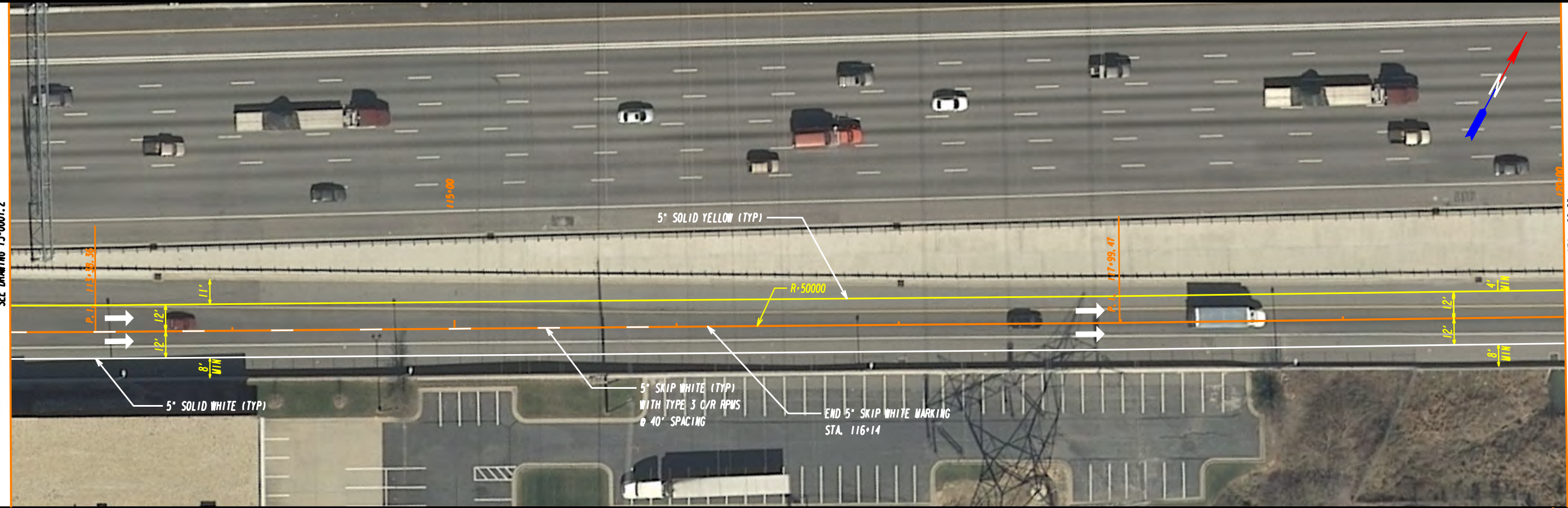
\$DGN#

CRINNETT COUNTY
DEPARTMENT OF TRANSPORTATION

PROJECT NUMBER
F-1258-01

W/15
W/11
W/12
W/8
W/4
W/12
W/8
W/4

W/15
W/11
W/12
W/8
W/4
W/12
W/8
W/4

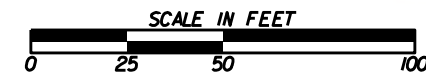


W/15
W/11
W/12
W/8
W/4
W/12
W/8
W/4

W/15
W/11
W/12
W/8
W/4
W/12
W/8
W/4

HNTB

191 PEACHTREE STREET, NE
SUITE 3300
ATLANTA, GEORGIA 30303

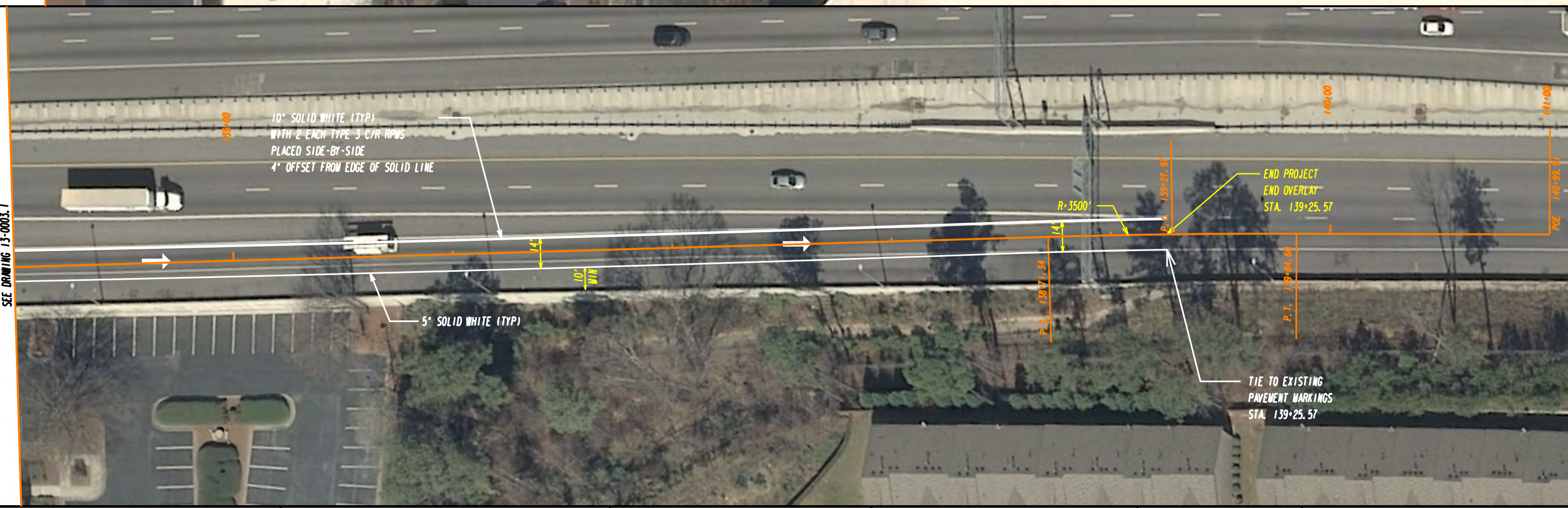
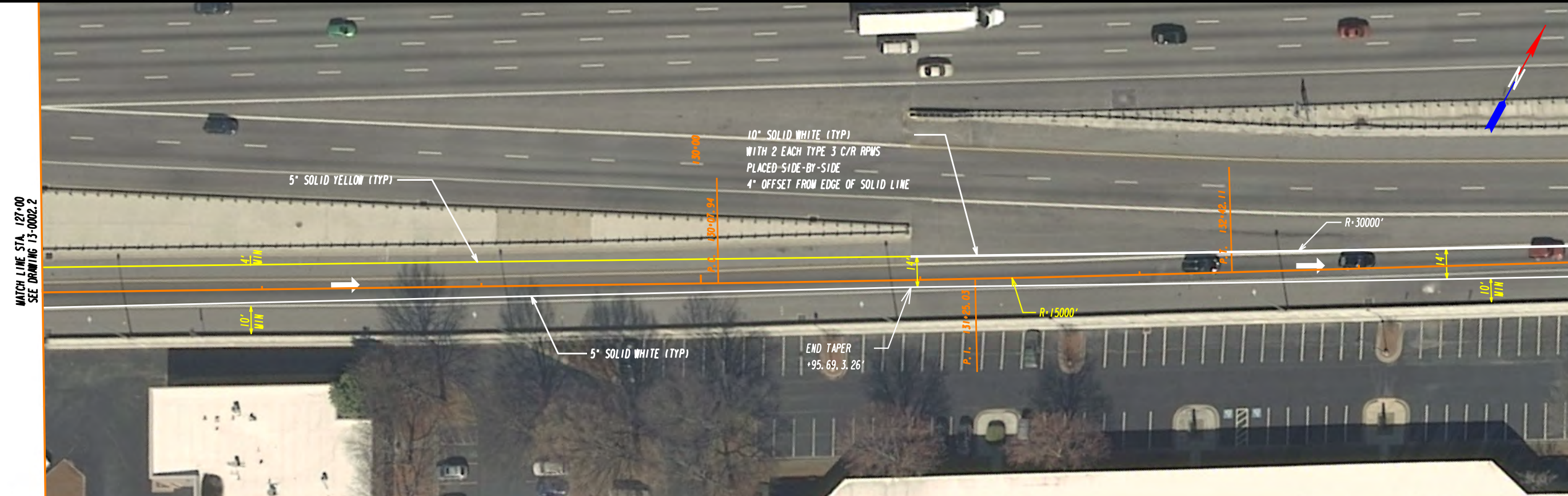


REVISION DATES

NO.	DATE	DESCRIPTION

**CONSTRUCTION PLAN
I-85 AT PLEASANT HILL RD
NB ENTRANCE RAMP**

CHECKED:	DATE:	DRAWING No.
BACKCHECKED:	DATE:	13-0002
CORRECTED:	DATE:	
VERIFIED:	DATE:	



WEST OR
EAST OR
NORTH OR
SOUTH OR

WEST OR
EAST OR
NORTH OR
SOUTH OR

10/23/2015
GPLN
ANFOSR
RPFOSR
RPFOSR
RPFOSR
RPFOSR

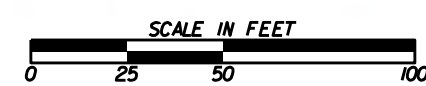
MATCH LINE STA. 127+00
SEE DRAWING 13-0002.2

MATCH LINE STA. 134+00
SEE DRAWING 13-0003.2

MATCH LINE STA. 134+00
SEE DRAWING 13-0003.1



191 PEACHTREE STREET, NE
SUITE 3300
ATLANTA, GEORGIA 30303



REVISION DATES

NO.	DATE	DESCRIPTION

CONSTRUCTION PLAN
I-85 AT PLEASANT HILL RD
NB ENTRANCE RAMP

CHECKED:	DATE:
BACKCHECKED:	DATE:
CORRECTED:	DATE:
VERIFIED:	DATE:

DRAWING No.
13-0003